

**PetitePro** ★

# **USER MANUAL**

PetitePro-V



# EFFICIENCY AND FLAWLESS STYLE

01

## Professional solution

**PetitePro-V** - is a built-in dust collector for nail industry professionals, designed to effectively absorb nail dust and maintain a clean workspace

 Powerful suction

 Absolute cleanliness

 Ergonomic design

# PACKAGE CONTENTS

02

- 1** PetitePro-V – 1 pc.
- 2** Filter – 1 pc.
- 3** Power supply – 1 pc.
- 4** Mounting template – 1 pc.



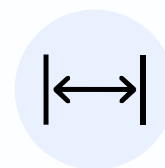
## ATTENTION BEFORE STARTING

Check the package contents during unpacking

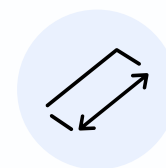
The manufacturer reserves the right to change the model's package contents and the appearance of the product without prior notice

# DIMENSIONS AND SIZES

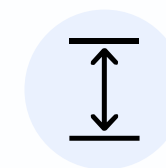
03



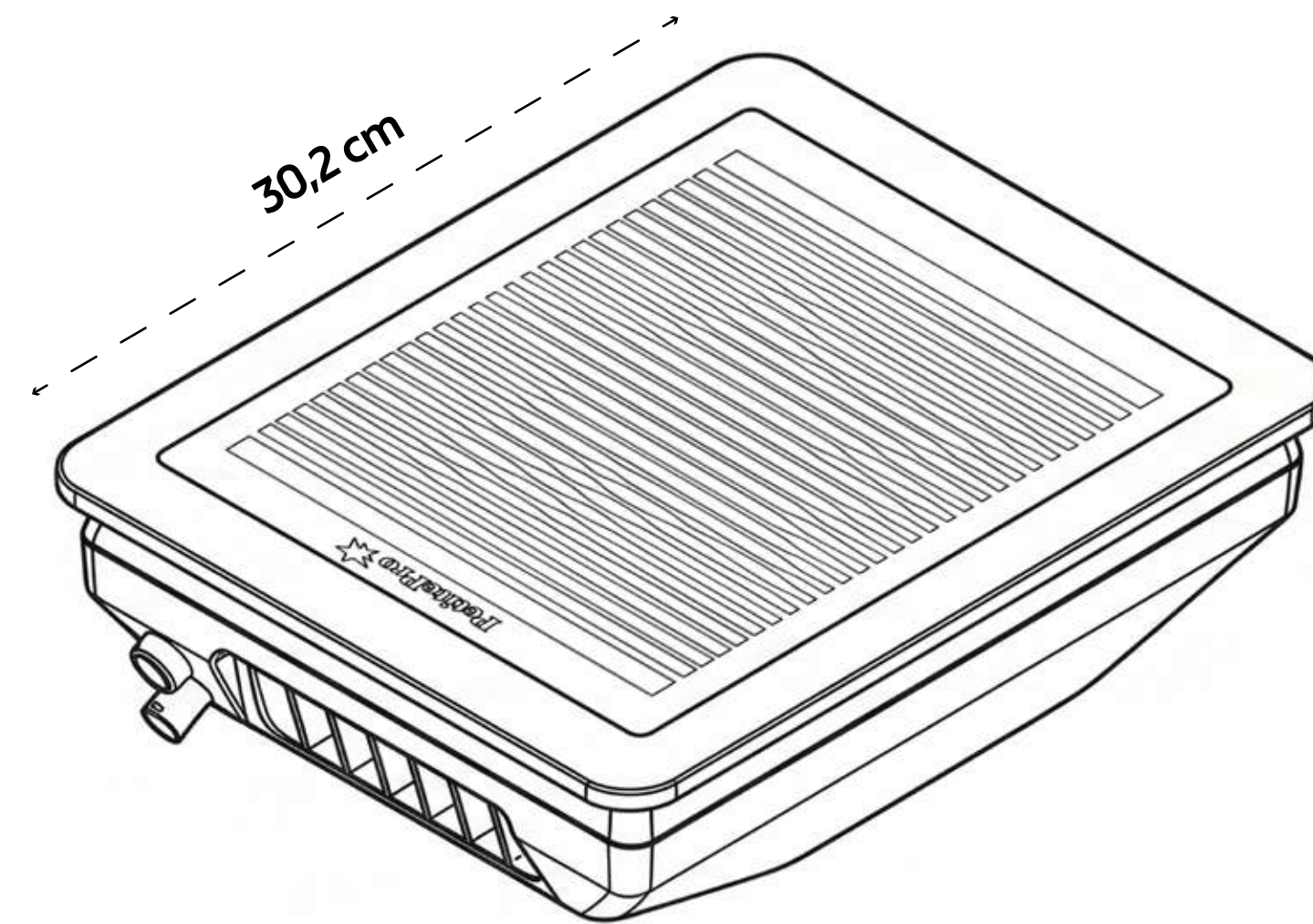
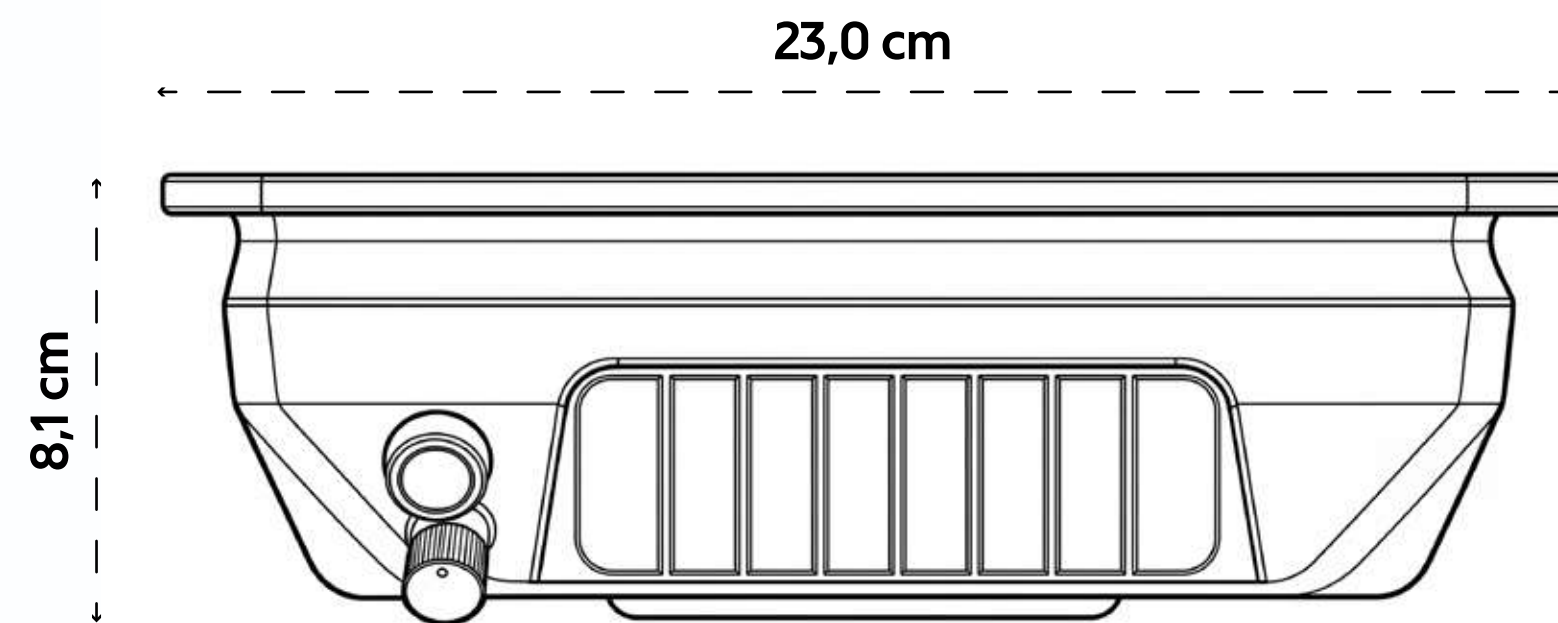
Surface width: 23,0 cm



Surface length: 30,2 cm



Body height: 8,1 cm



# TEMPLATE CUTOUT

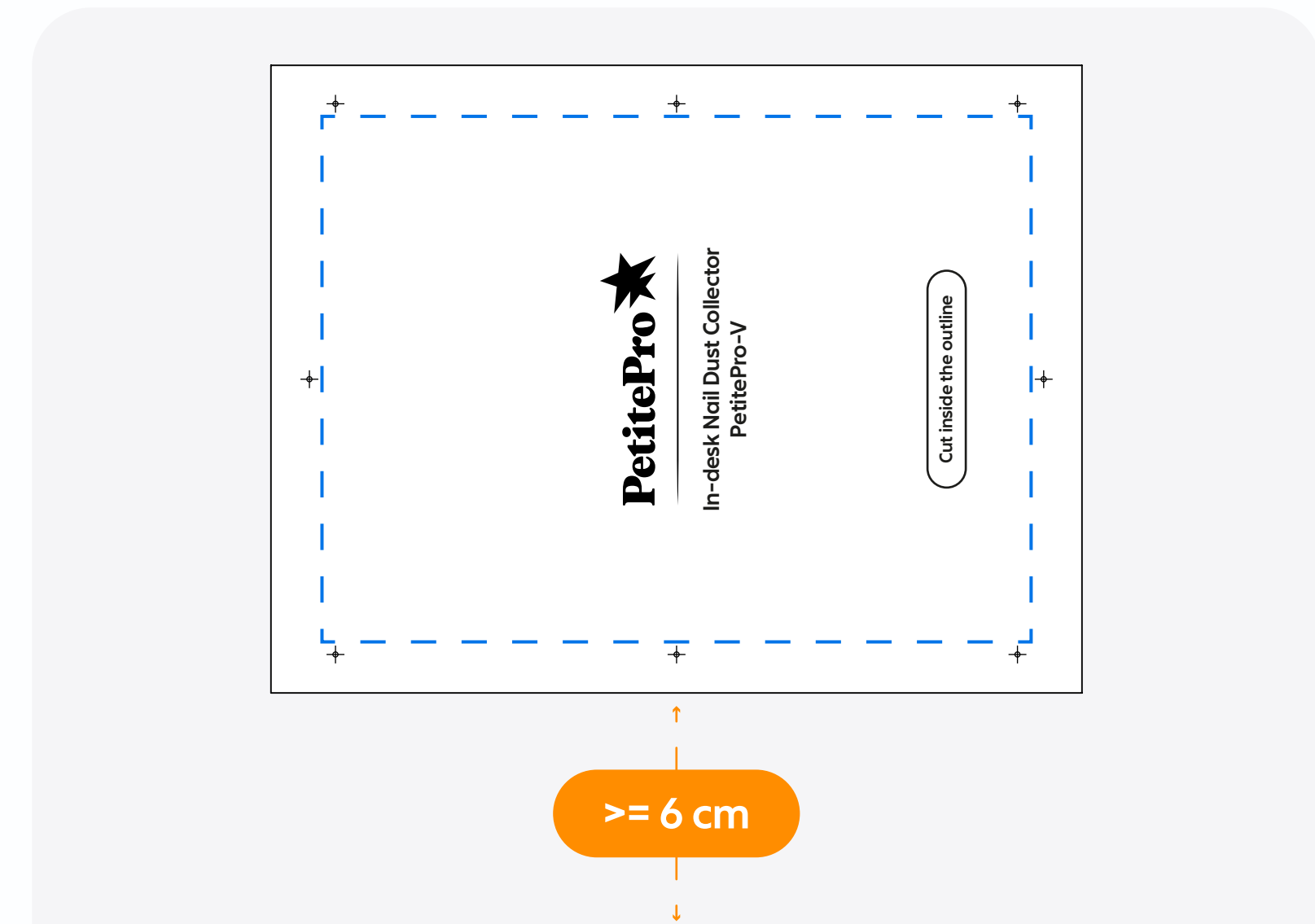
04

- 1 Recommended clearance 6 cm**

It is recommended to leave a clearance of 6 cm between the bottom edge of the template and the edge of the countertop. This will ensure the technician's comfort and preserve structural integrity
- 2 Installation area check**

Check the under-counter space (depth — 6 cm). Make sure there are no metal supports, fasteners, drawers, or utilities in the installation area
- 3 Preparation and cutout**

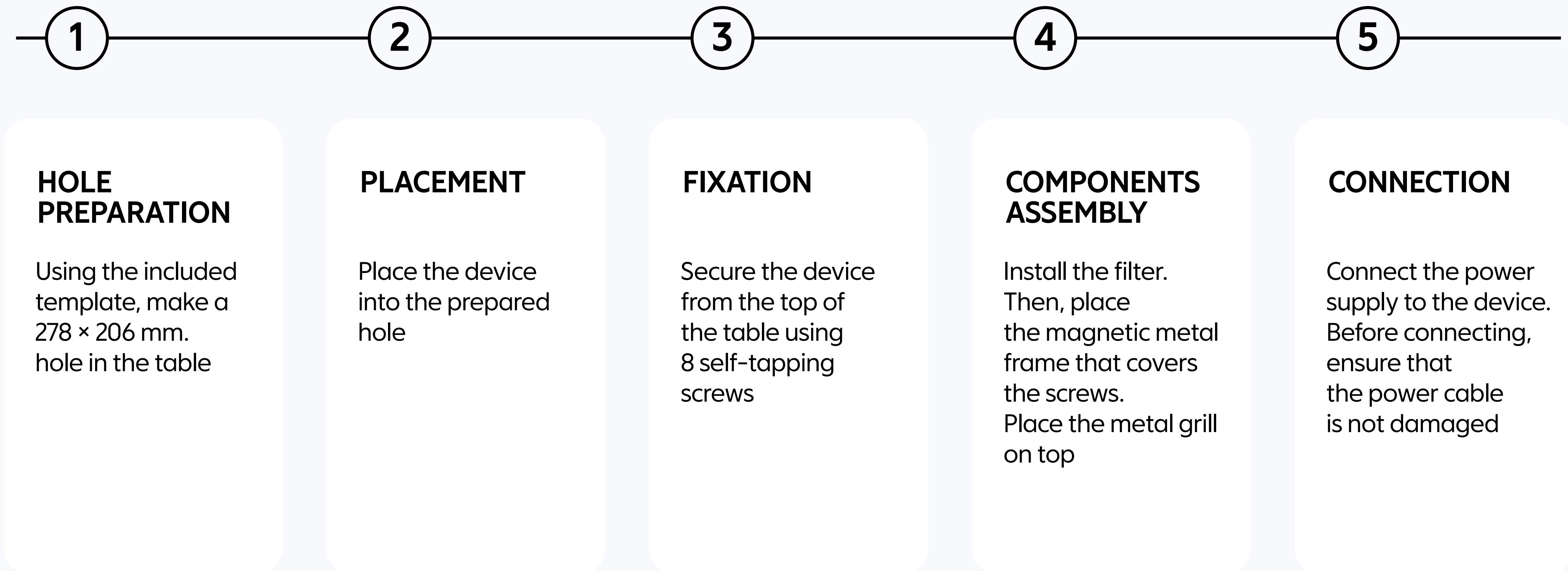
Secure the template with masking tape and trace the inner contour. Drill a pilot hole in a corner for the jigsaw blade. Make an accurate cut strictly along the marked line



**WORKING EDGE OF THE TABLE  
(TECHNICIAN'S SIDE)**

# DEVICE INSTALLATION

05



# PREPARATION FOR OPERATION

06

- 1** Put on a mask and gloves
- 2** Plug the device into an AC outlet and turn it on
- 3** Set the required operating speed
- 4** After completing the work, turn off the device and unplug it from the mains
- 5** Remove remaining dust from the metal grill using a soft brush
- 6** Remove the magnetic metal grill
- 7** Remove the filter from the top of the housing  
Place the dirty side onto a wipe and gently tap to shake off the dust
- 8** Reinstall the cleaned filter back into the device
- 9** Put the metal grill back in place

# SAFETY REGULATIONS

07



Use the device only for its intended purpose



Do not allow children or persons with disabilities to use the device without supervision



Use only the original power supply included in the package



Do not leave the device unattended when it is plugged in



Do not unplug the device from the mains while it is operating



Do not attempt to repair the device or replace its parts by yourself



**ATTENTION!** The manufacturer is not liable for any consequences resulting from improper use of the device or failure to comply with the operating regulations

# OPERATION AND MAINTENANCE

08

- 1** Clean the filter after each working session
- 2** Always unplug the device from the mains before cleaning the filter
- 3** Do not clean the filter with water or other liquids  
Professional dry cleaning is recommended
- 4** Recommended filter replacement — every 2 months
- 5** To clean the metal grill, apply a disinfectant solution to a wipe and gently wipe the surface
- 6** After cleaning, be sure to wipe the metal dry with a wipe. Leaving the surface wet may cause corrosion
- 7** If traces of corrosion appear, the metal can be carefully cleaned with a nail buffer
- 8** Do not leave the device plugged into the mains unattended
- 9** Always turn off the device after completing work
- 10** It is prohibited to use accessories that are not included in the package contents



## **IMPORTANT!**

**In case of violation of the operation and maintenance rules, the device warranty will be voided**



[petitepro.com](https://petitepro.com)



[info@petitepro.com](mailto:info@petitepro.com)



+380-99-907-32 92

SCAN AND FOLLOW OUR INSTAGRAM →



**INSTAGRAM**

@petitepro.ua